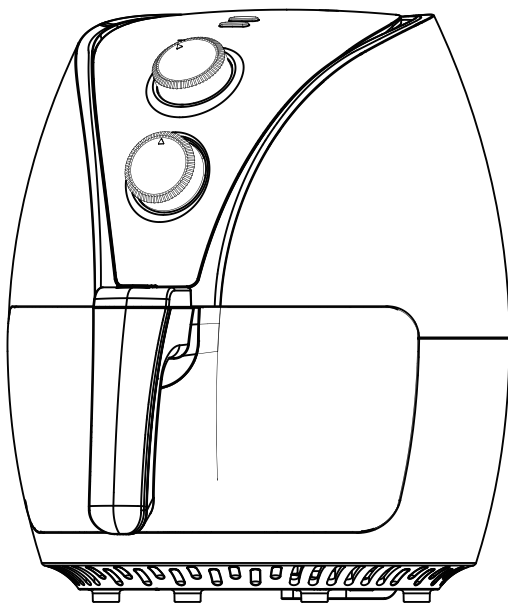


LIVING & CO[®]

AIR FRYER



INSTRUCTION MANUAL

MODEL: LQ-2501

AFTER SALES SUPPORT

☎ (NZ) 0800 422 274

CONTENT

IMPORTANT SAFEGUARDS 1-3
PARTS DESCRIPTION 4
GETTING STARTED 5
OPERATING INSTRUCTIONS 6-8
CLEANING..... 8-9
STORAGE 9
APPLIANCE SPECIFICATION..... 9
COOKING GUIDE 10
TROUBLE SHOOTING 11-12

IMPORTANT SAFEGUARDS

Caution

Please read this manual carefully before using the appliance as danger may occur under incorrect operations.

1. Do not immerse the housing in water or rinse under the tap due to the electronic and heating components.
2. Avoid any liquid entering the appliance to prevent electric shock or short-circuit.
3. Keep all food ingredients in the basket to prevent any contact from the heating elements.
4. Do not cover the air inlet or the air outlet when the appliance is operating.
5. Do not fill the pan with oil. Filling the pan with oil may cause a fire hazard.
6. Do not touch the inside of the appliance while it is operating.
7. Check if the voltage indicated on the appliance fits the local mains voltage.
8. Never let the power cord hang over the edge of a counter or table, or touch hot surfaces.
9. Keep the appliance and its mains cord out of the reach of children.
10. Keep the mains cord away from hot surfaces.
11. Do not connect appliance to an external timer switch.
12. Do not place the appliance on or near combustible materials such as a tablecloth or curtain.
13. Do not place the appliance against a wall or against other appliance. Leave at least 10cm free space on the back and sides and 10cm free space above the appliance.

IMPORTANT SAFEGUARDS

Caution

14. Do not place anything on top of the appliance.
15. Do not use the appliance for any other purpose than described in this manual.
16. Do not operate the appliance unattended.
17. During hot air frying, hot steam is released through the air outlet openings. Keep your hands and face at a safe distance from the steam and from the air outlet openings.
18. Be careful of hot steam and air when you remove the pan from the appliance.
19. If you see dark smoke coming out of the appliance, immediately unplug the Appliance, wait for the smoke emission to stop before you remove the pan from the appliance.
20. Ensure the appliance is placed on a horizontal, even and stable surface.
21. The use of accessories is not recommended by the appliance manufacturer as it may cause injuries.
22. This appliance is designed for household use only. It may not be suitable to be safely used in environments such as staff kitchens, farms, motels, and other non-residential environments.
23. Always unplug the appliance while not using. The appliance needs approximately 30 minutes to cool before handling or cleaning safely.
24. This appliance is not intended for use by persons (including children) with reduced physical, sensory or mental capabilities, or lack of experience and

IMPORTANT SAFEGUARDS

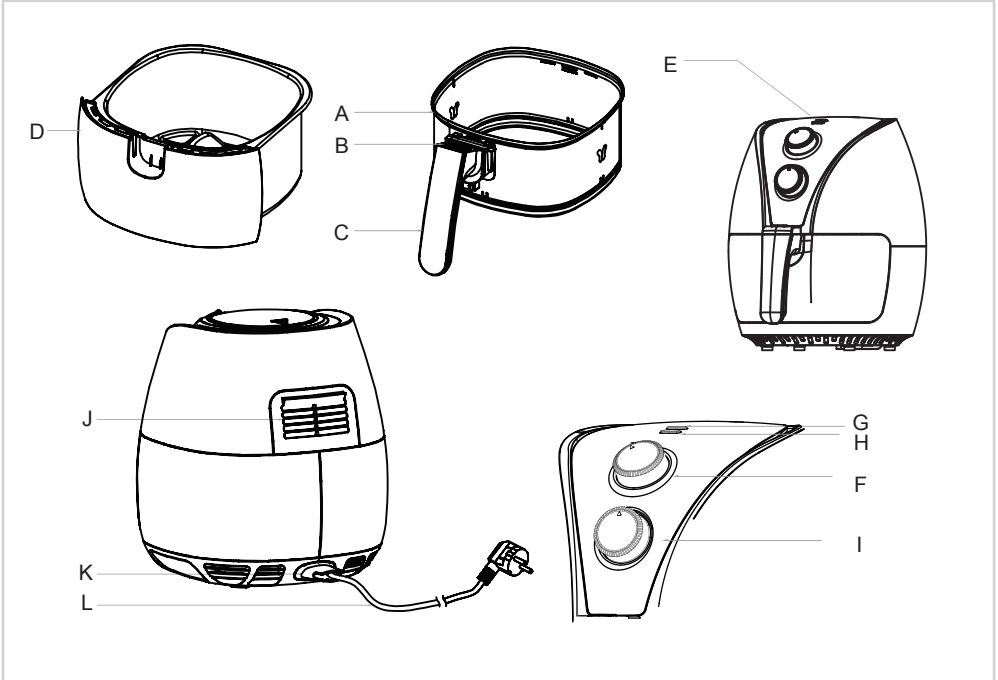
Caution

knowledge, unless they have been given supervision or instruction concerning use of the appliance by a person responsible for their safety.

25. If the supply cord is damaged, it must be replaced by the manufacturer, its service agent or a similarly qualified person in order to avoid a hazard.
26. Young children should be supervised to ensure that they do not play with the appliance.
27. Appliance not intended to be operated by means of an external timer or separate remote control system.

FOR HOUSEHOLD USE ONLY
DO NOT THROW AWAY INSTRUCTIONS

PARTS



DESCRIPTION

- | | |
|-----------------------------|----------------------------|
| A: Basket | G. Power indicator light |
| B: Basket release button | H. Heating indicator light |
| C. Basket handle | I: Timer knobs |
| D. Tray | J: Vent windows |
| E. Air inlet | K: Power cord storage box |
| F. Temperature control knob | L: Power cord |

GETTING STARTED

Before first use

1. Remove all packaging materials and stickers or labels.
2. Clean the basket and pan with in warm, soapy water, then rinse and dry thoroughly. Do not immerse the main unit in water or any other liquid.
Never use harsh or abrasive cleaning detergents or scourers to clean air fryer or its accessories, as this could cause damage.
3. Wipe inside and outside of the appliance with a soft, damp cloth and dry thoroughly.
4. Place the appliance on a stable, horizontal and even surface.

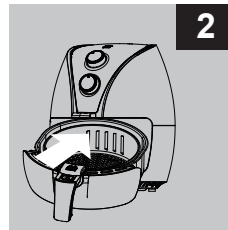
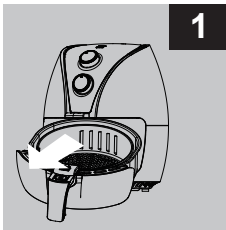
Warning: Do not place the appliance on non-heat-resistant surface.

Note: When using the air fryer for the first time, a slight smoke or odour may be emitted. This is normal and will soon subside.

OPERATING INSTRUCTIONS

- Plug in and switch on the air fryer at the mains power supply.
- Preheat the air fryer for 3-5 minutes by use the timer control and temperature control dials. The power indicator light and the heating-up light go on, once it has reached the required temperature, the heat indicator light will automatically switch off.
- Carefully pull the pan out of the AIR FRYER. (Fig.1) Place the pan on a flat, stable, heat-resistant surface.
- Place the ingredients into the non-stick coated cooking basket, then slide the pan back into the AIR FRYER. (Fig.2)

CAUTION: Never use the pan without the basket in it. Do not touch the pan during or immediately after use, as it gets very hot. Only hold the pan by the handle.

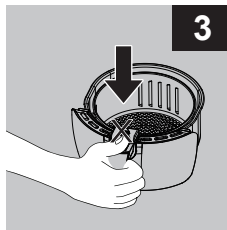


- Turn the temperature control knob to the desired temperature.
- Determine the required cooking time for the ingredients and turn the timer knob to the required setting.
- The power-on (red coloured) indicator light and the heating-up (green coloured) indicator light go on. The green indicator light will switch off once the set temperature has been reached.

OPERATING INSTRUCTIONS

- The timer starts counting down the set cooking time.
- During the air frying process, the heating-up indicator light switches on and off. This indicates that the heating element is regulated and cycling on and off to maintain the set temperature.
- Some ingredients require shaking halfway during the cooking time, pull the pan out of the appliance by the handle and gently shake it. Then slide the pan back into the main unit.

Caution: Do not press the button of the handle during shaking. (fig.3)



- When you hear the timer bell, the set cooking time has elapsed. Pull the pan out of the appliance and place it on the heat-resistant holder.

Note:

You can also switch off the appliance manually. This can be done by turning **the timer control knob to 0**. Check if

- the food is ready.

If the food is not ready yet, simply slide the pan back into the appliance and set the timer for a few extra minutes.

OPERATING INSTRUCTIONS

- To remove small ingredients (e.g. fries), press the basket release button and lift the basket out of the pan. Don't turn over the pan, otherwise, the oil collected on the bottom of the pan will leak onto the ingredients. The pan and the ingredients are hot after hot air frying. Depending on the type. Of the ingredients in the air fryer, steam may escape from the pan.
- Empty the basket into a bowl or onto a plate.
Tip:
To remove large or fragile ingredients, lift the ingredients out of the basket by a pair of tongs.
- When a batch of ingredients is ready, the air fryer is instantly ready for preparing another batch.

CLEANING

WARNING

Always unplug the appliance from the electrical outlet before assembling, disassembling, relocating, servicing, or cleaning it.

- Clean the appliance after every use.
- Before cleaning, remove the mains plug from the mains supply.

CLEANING

- Make sure your appliance has cooled down completely before cleaning.
- Wipe the outside of the appliance with a moist cloth.
- Clean the basket and pan with warm, soapy water, then rinse and dry thoroughly.

CAUTION: Do not immerse the main unit in water or any other liquid.

Tip: If cooked food is stuck to the basket or the bottom of the pan, fill the pan with warm water with some washing-up liquid. Put the basket in the pan and let the pan and the basket soak for about 10 minutes.

Note: The pan and basket are dishwasher-proof. Never use harsh or abrasive cleaning detergents or scourers to clean air fryer or its accessories, as this could cause damage.

STORAGE

- Ensure all parts are dry before storage.
- Store the appliance in a dry box or in a clean, dry place.
- Never store the appliance while it is still wet or dirty.
- Never wrap the power cord around the appliance.

APPLIANCE SPECIFICATION

220-240VAC 50/60HZ
1300-1500W

COOKING GUIDE

	Min-max Amount (g)	Time (min)	Temperature (°C)	Shake	Extra information
Potatoes & fries					
Thin frozen fries	300-700	9-16	200	shake	
Thick frozen fries	300-700	11-20	200	shake	
Home-made fries (8×8mm)	300-800	16-10	200	shake	Add 1/2 tbsp of oil
Home-made potato wedges	300-800	18-22	180	shake	Add 1/2 tbsp of oil
Home-made potato cubes	300-750	12-18	180	shake	Add 1/2 tbsp of oil
Rosti	250	15-18	180	shake	
Potato gratin	500	15-18	200	shake	
Meat & Poultry					
Steak	100-500	8-12	180		
Pork chops	100-500	10-14	180		
Hamburger	100-500	7-14	180		
Sausage roll	100-500	13-15	200		
Drumsticks	100-500	18-22	180		
Chicken breast	100-500	10-15	180		
Snacks					
Spring rolls	100-400	8-10	200	shake	Use oven-ready
Frozen chicken nuggets	100-500	6-10	200	shake	Use oven-ready
Frozen fish fingers	100-400	6-10	200		Use oven-ready
Frozen bread crumbed cheese snacks	100-400	8-10	180		Use oven-ready
Stuffed vegetables	100-400	10	160		
Baking					Use baking tin
Cake	300	20-25	160		Use baking tin/oven dish
Quiche	400	20-22	180		Use baking tin
Muffins	300	15-18	200		Use baking tin/oven dish
Sweet snacks	400	20	160		

TROUBLE SHOOTING

Problem	Possible cause	Solution
The AIR FRYER does not work.	The appliance is not plugged in.	Put the mains plug in an earthed wall socket.
	You have not set the Timer.	Turn the timer knob to the required cooking time to switch on the appliance
The food fried with the AIR FRYER are not done.	The quantity of food in the basket is too much.	Put smaller batches of food in the basket. Smaller batches are fried more evenly.
	The set temperature is too low.	Turn the temperature control knob to the required. Temperature setting - refer to the cooking guide for reference.
The food is fried unevenly in the AIR FRYER.	Certain food types need to be shaken halfway through the cooking time.	Food that lie on top of or across each other (e.g. fries) need to be shaken halfway through the cooking time.
Fried snacks are not crispy when they come out of the AIR FRYER.	Incorrect food type used.	Refer food manufactures cooking instructions.
I cannot slide the pan / basket into the appliance.	Basket over-loaded.	Do not fill the basket beyond the MAX indication.
	The basket is not placed in the pan correctly.	Push the basket down into the pan until you hear a click.
White smoke Comes out from the Appliance.	food with high oil content has been used. Oil has been added to the food.	Do not use food groups with high oil content or add extra oil that is not required. An air fryer uses technology where low or no oil is required.

TROUBLE SHOOTING

Problem	Possible cause	Solution
White smoke Comes out from the Appliance.	The pan still contains grease residues from previous use.	White smoke is caused by grease heating up in the pan. Make sure you clean the pan correctly after each use.



STOP
BEFORE
RETURNING
TO STORE

Read the manual

It will help you get the best out of your product.
Still have questions?
Call After Sales Support

0800 422 274

LIVING & CO[®]

Warranty

We pride ourselves on producing a range of quality home appliances that are both packed with features and completely reliable. We are so confident in our products, we back them up with a 1 year warranty.

Now you too can relax knowing that you are covered.

Customer Helpline NZ: 0800 422 274

This Product is covered by 1 year warranty when accompanied by proof of purchase